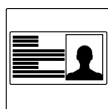


## SAFETY & WARNINGS

- 1. READ AND FOLLOW ALL SAFETY INSTRUCTIONS**
- Install in accordance with national and local electrical code regulations.
- This product is intended to be installed and serviced by a qualified, licensed electrician.
- Do not use if there is any damage to fixture or wiring. Inspect periodically.
- Do not submerge fixture in liquids or use the product in the vicinity of standing water or other liquids.
- Do not install near areas with exposure to salt water or chlorinated water.
- Do not install in direct sunlight or damage to the LED phosphor will occur.
- Do not attempt to fix this product in the field.
- Failure to follow safety warnings and installation instructions will void the warranty for this product.



## QUICK SPECS / MODELS

<b>SKU</b>	DI-ST40-**
<b>Input</b>	120V-277VAC
<b>Power</b>	30w - 45w
<b>Ambient Temp †</b>	-4° - 122°F (-20° - 50°C)

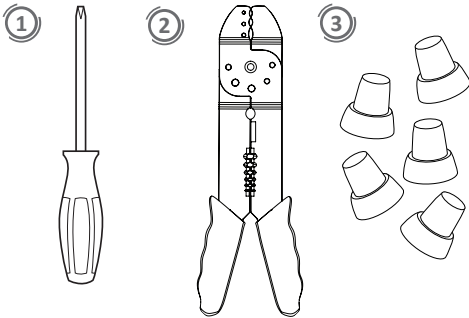
† Do not install product in environment outside listed temperature.

**\*NOT FOR USE IN SUBMERSIBLE APPLICATIONS, OR WITHIN 5 FEET OF A SWIMMING POOL.**

# EMERY™ STRATUS LED Panel Light

INSTALLATION GUIDE

## REQUIRED TOOLS



1. Phillips-head Screwdriver
2. Wire Stripper
3. (5x) Twist on Wire Connectors

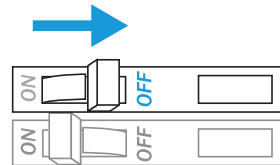
## INSTALLATION

### 1 TURN POWER OFF AT CIRCUIT BREAKER

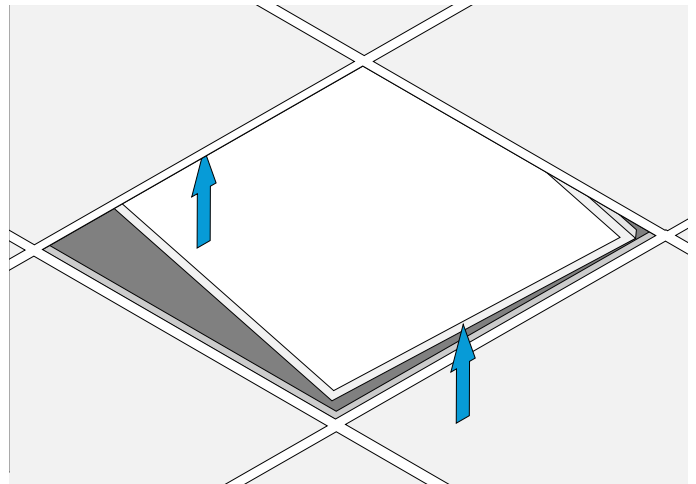


**SHOCK HAZARD!** May result in serious injury or death.

Turn power OFF at circuit breaker prior to installation.



### 2 PLACE PANEL LIGHT INTO CEILING GRID



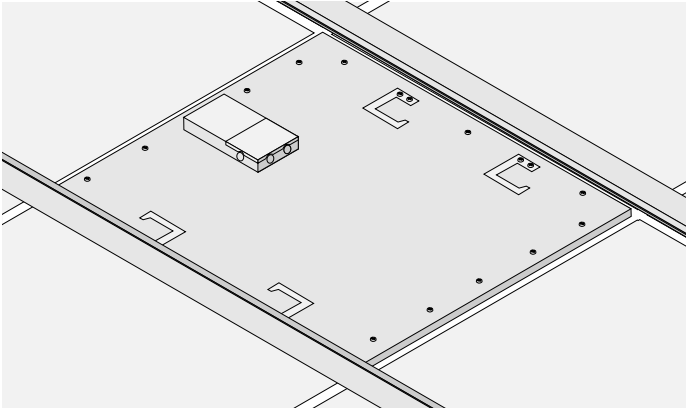
# EMERY™ STRATUS LED Panel Light

INSTALLATION GUIDE

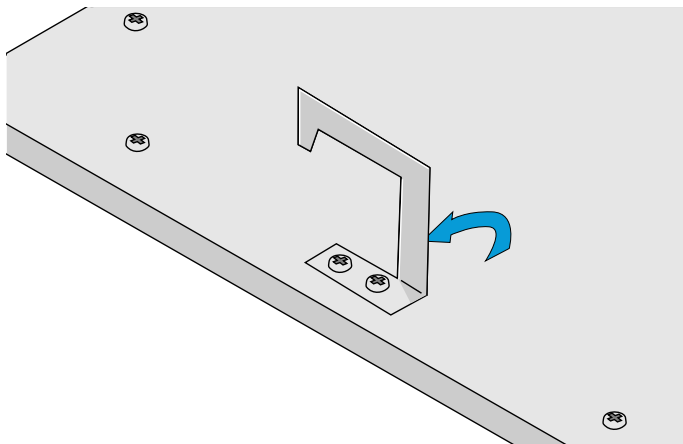
## INSTALLATION (CONT.)

### 3 SECURE PANEL TO T-BAR TRACK

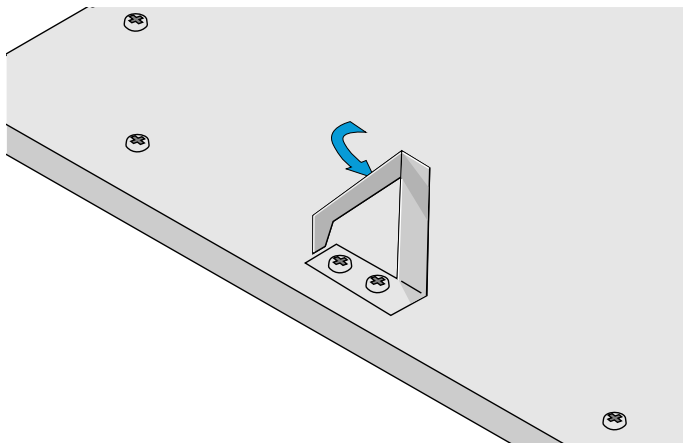
EMERY™ STRATUS LED Panel Light in ceiling grid.



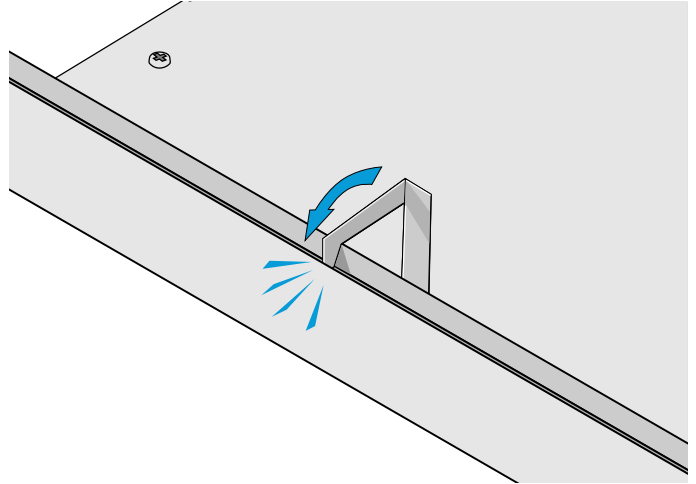
**3.1** Bend each bracket upward to a 90° angle.



**3.2** Bend each bracket arm so that it is pointing outward toward edge of panel.

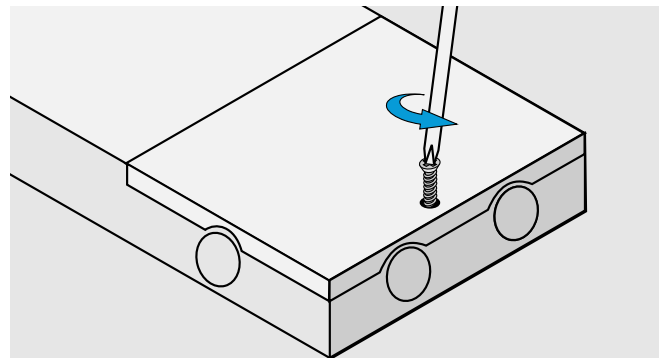


**3.3** Place bracket arms into T-bar tracks.

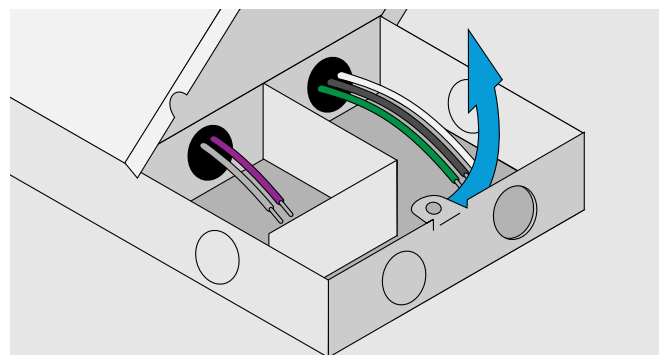


### 4 OPEN JUNCTION BOX

**4.1** Using Phillips-head screwdriver, unscrew cover



**4.2** Lift junction box cover.



# EMERY™ STRATUS LED Panel Light

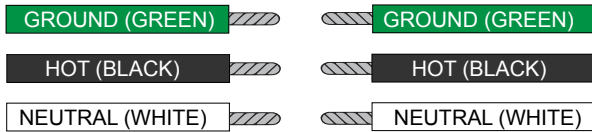
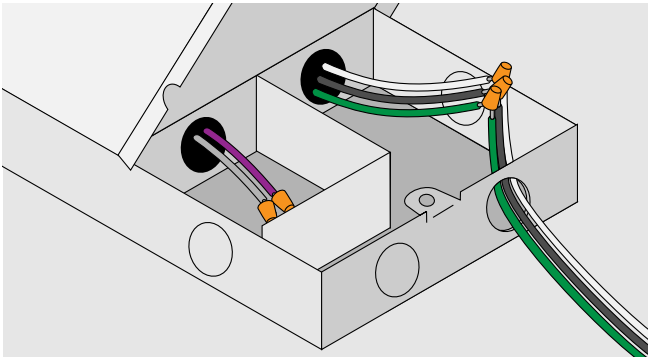
INSTALLATION GUIDE

## INSTALLATION (CONT.)

### 5 CONNECT WIRING

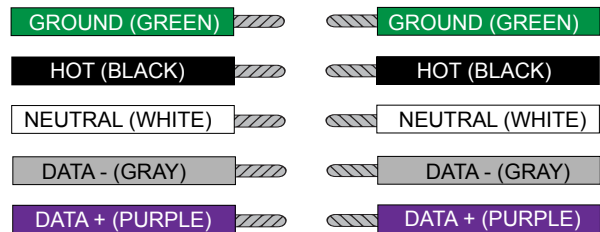
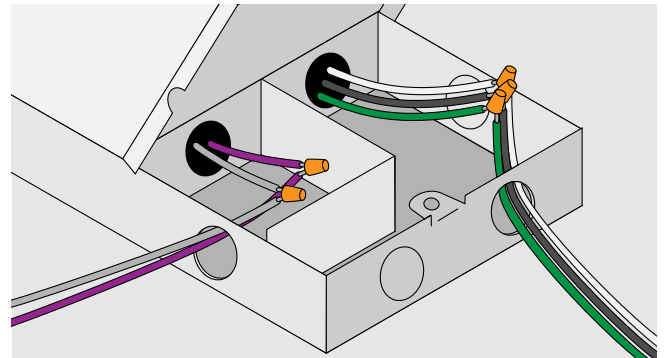
#### a ON/OFF

Connect Green, Black, and White wiring to 120V-277V AC circuit using twist-on wire connectors. If not using 0-10V dimming, cap purple and gray data wires with twist-on wire connectors separately.



#### b 0-10V DIMMING

Connect Green, Black, and White wiring to 120V-277V AC circuit. Connect Gray(-) and Purple(+) Data wiring to 0-10V Dimmer using twist on wire connectors.

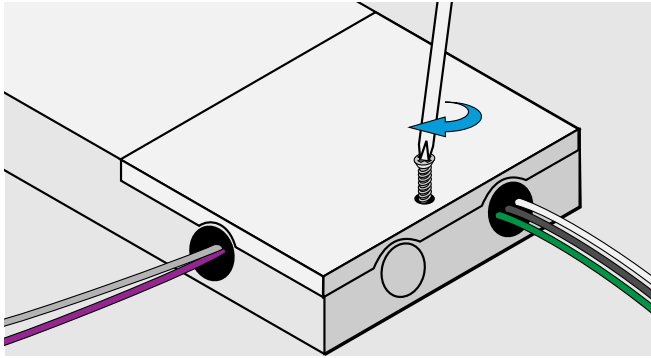


# EMERY™ STRATUS LED Panel Light

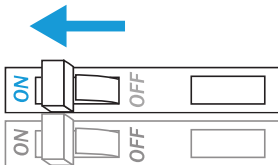
INSTALLATION GUIDE

## INSTALLATION (CONT.)

- 6** **CLOSE JUNCTION BOX**  
Fasten junction box cover with screw.



- 7** **TURN POWER ON AT CIRCUIT BREAKER**



## TROUBLESHOOTING

<b>Lights are flickering</b>	<ul style="list-style-type: none"><li>• Verify fixture is wired to a 120V-277VAC circuit.</li><li>• Verify wiring to 0-10V Dimmer is correct.</li></ul>
<b>Lights will not illuminate</b>	<ul style="list-style-type: none"><li>• Ensure main power is turned on.</li></ul>

## TOOLS & RESOURCES

**EMERY™ STRATUS SPECIFICATION SHEET**  
For full specifications.



Toll Free: 877.817.6028 | Fax: 415.592.1596 | [www.DiodeLED.com](http://www.DiodeLED.com) | [info@DiodeLED.com](mailto:info@DiodeLED.com)  
© 2015 Elemental LED Inc. All rights reserved. Specifications are subject to change without notice.